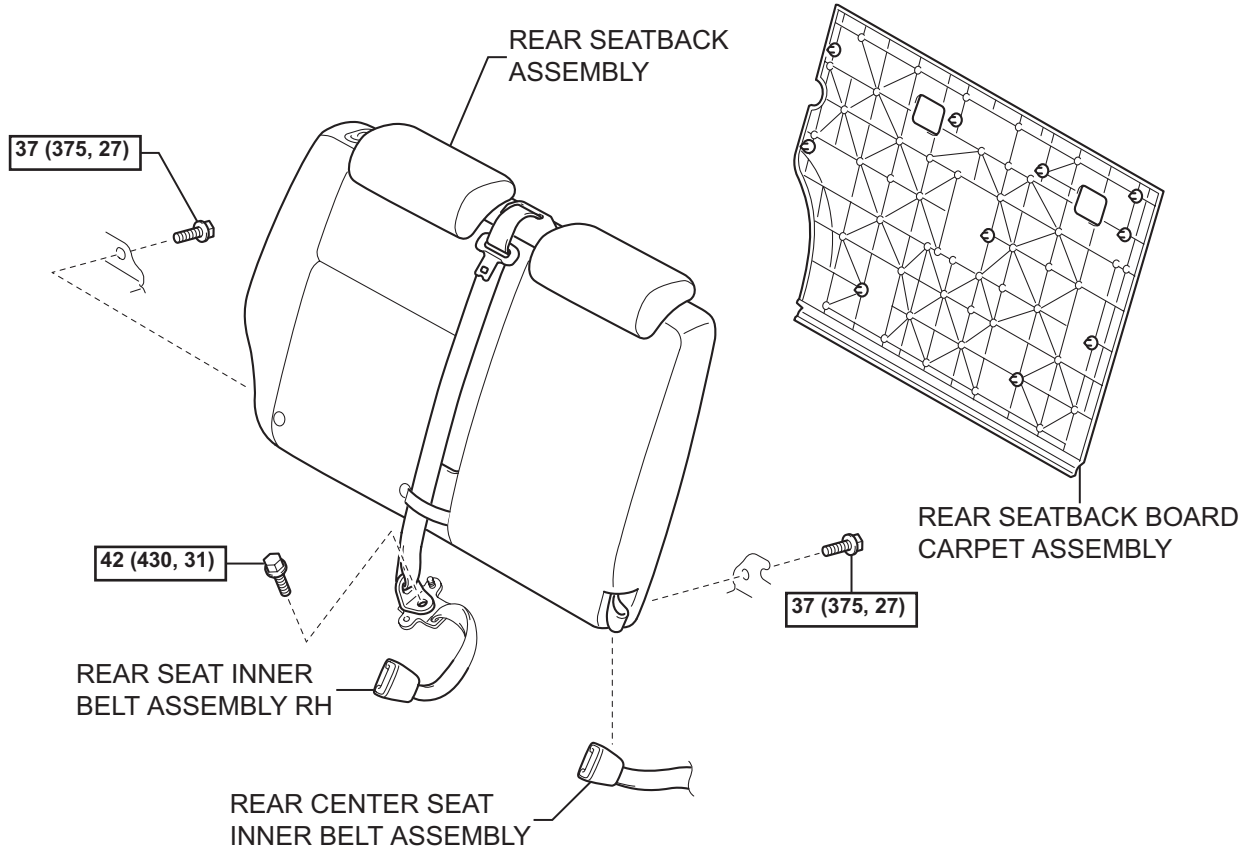
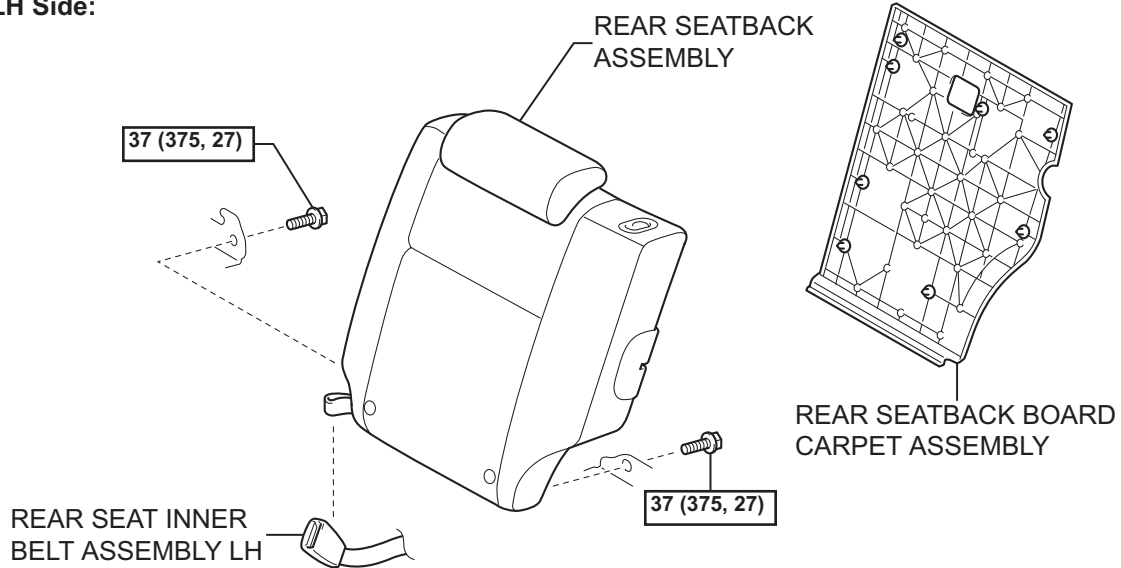


REAR SPEAKER COMPONENTS

for RH Side:

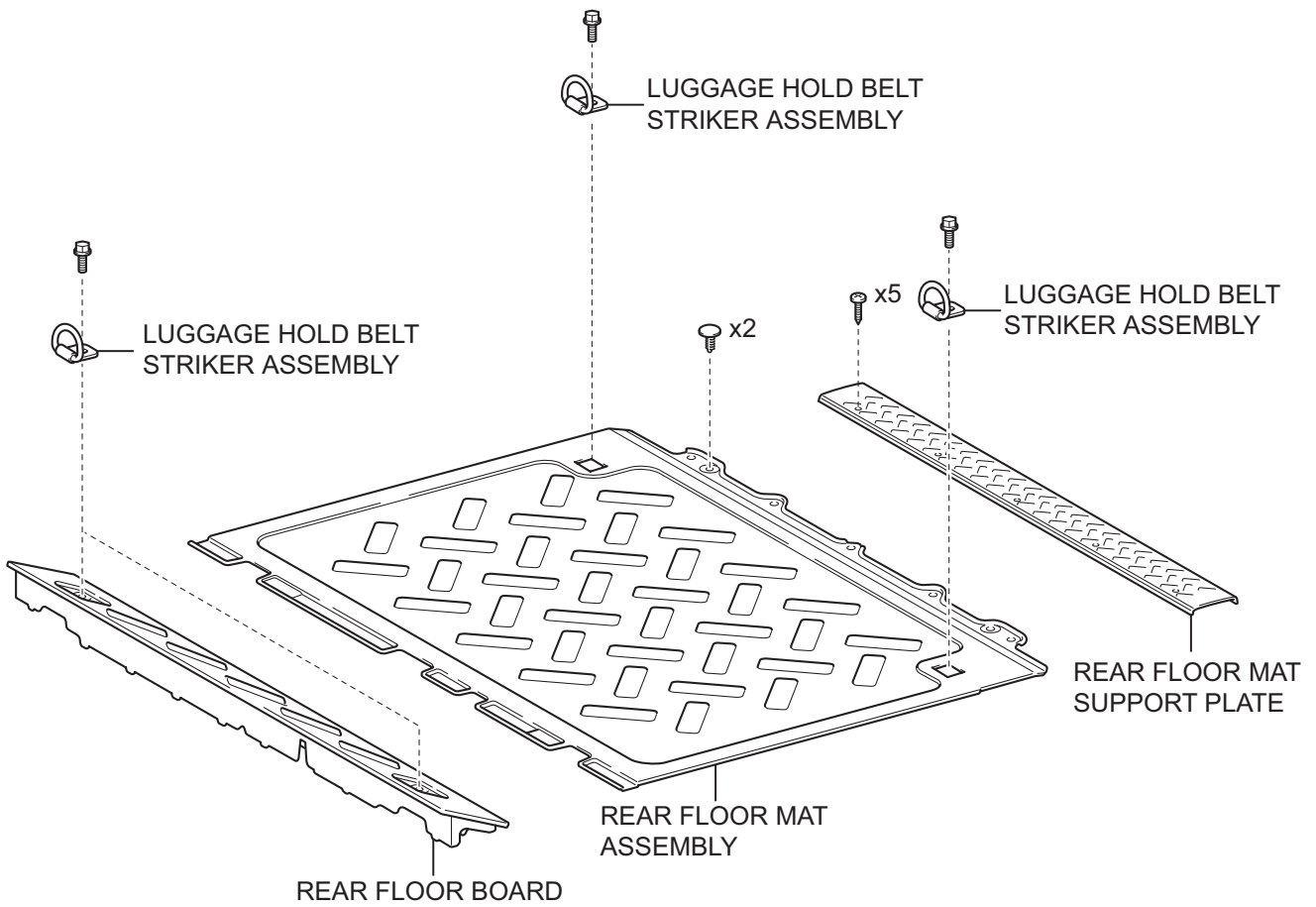


for LH Side:

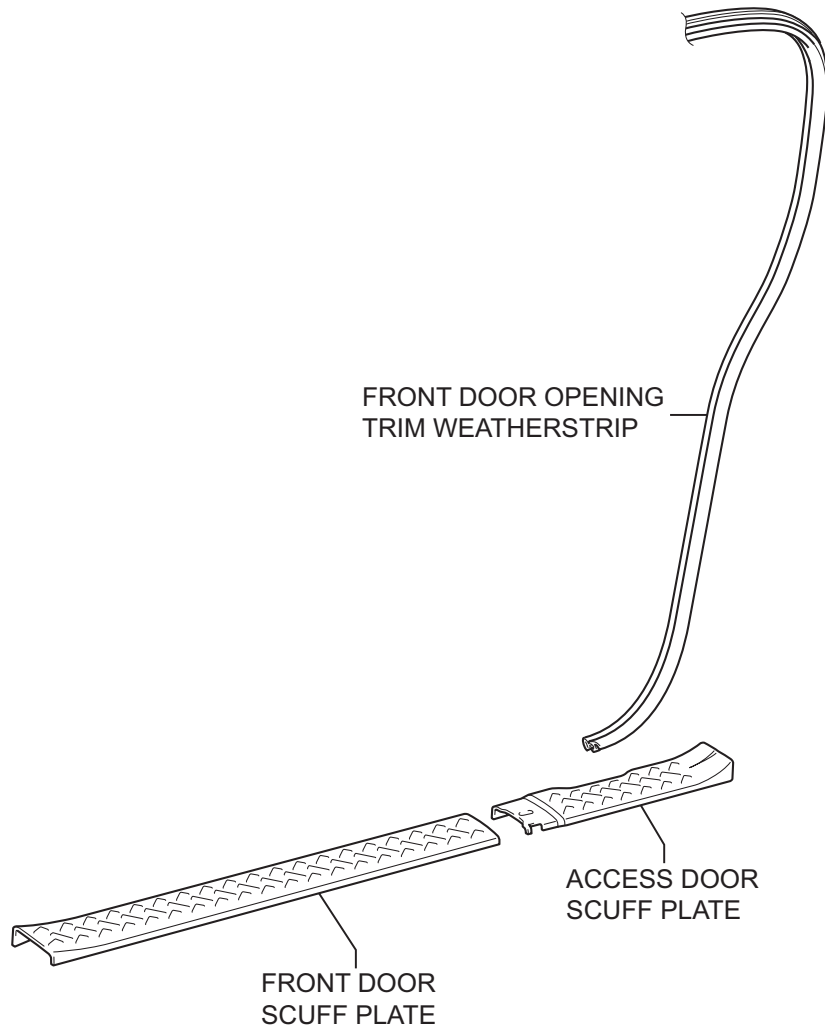


N*m (kgf*cm, ft*lbf) : Specified torque

AV

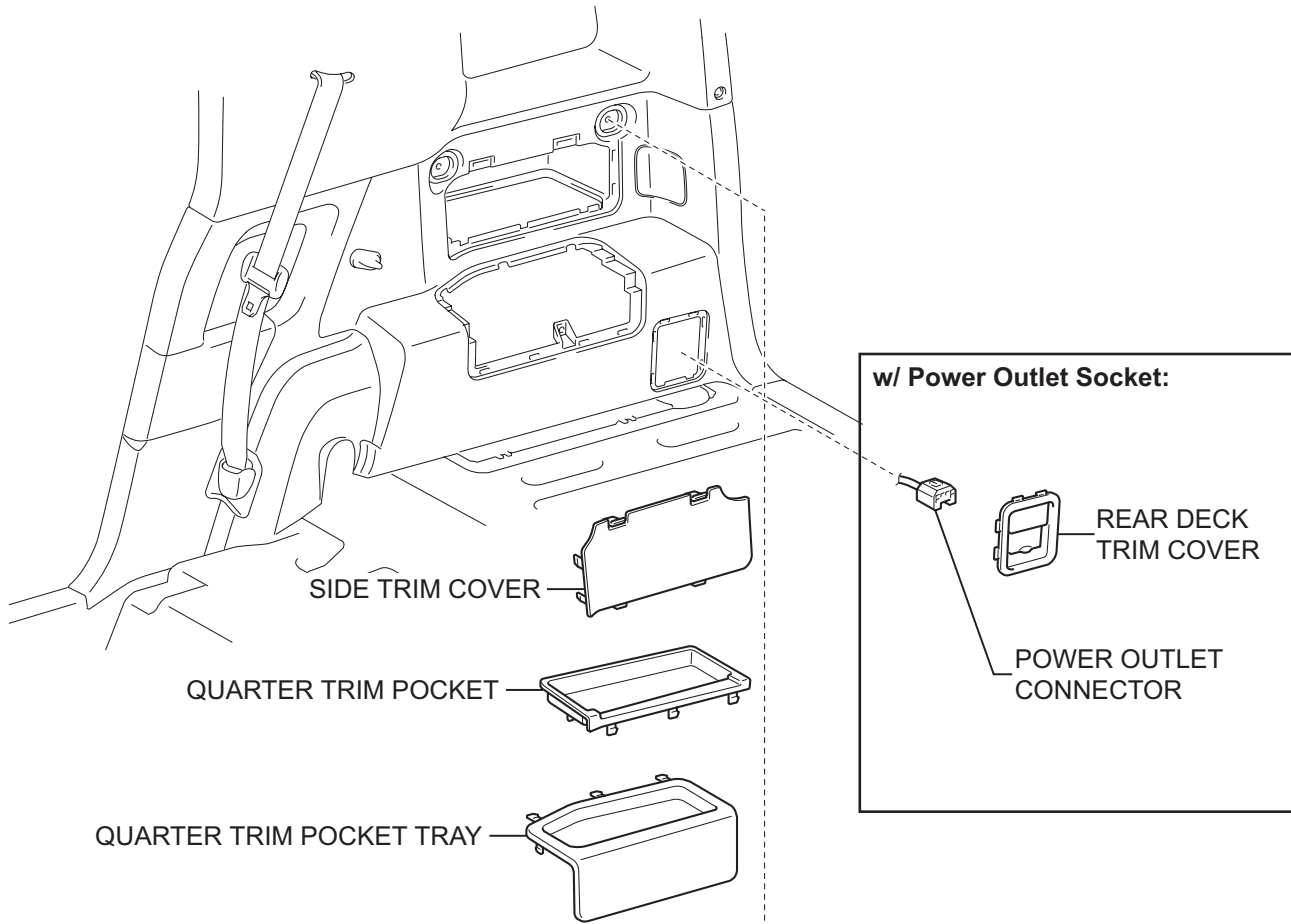


AV

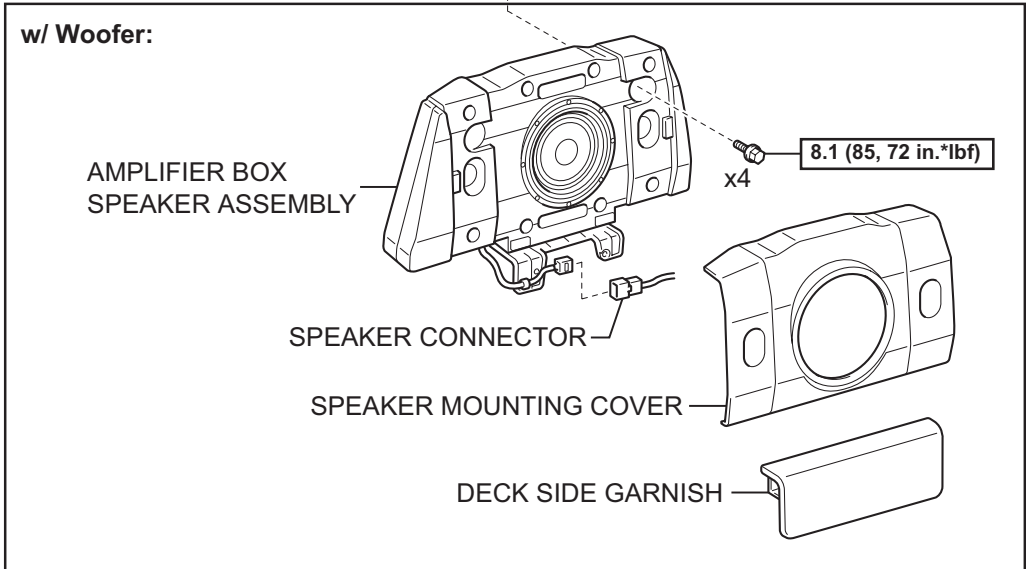


AV

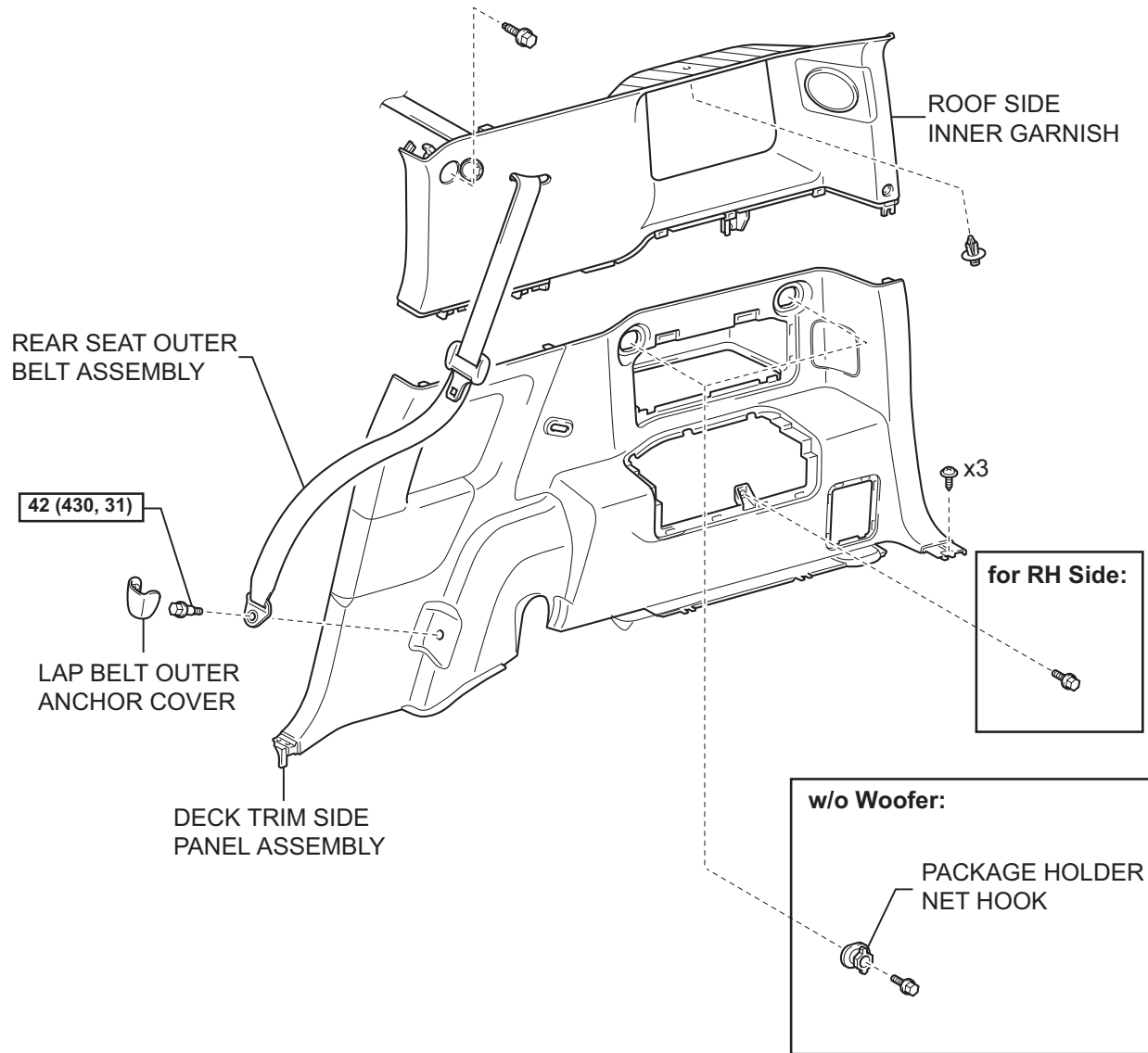
for RH Side:



AV



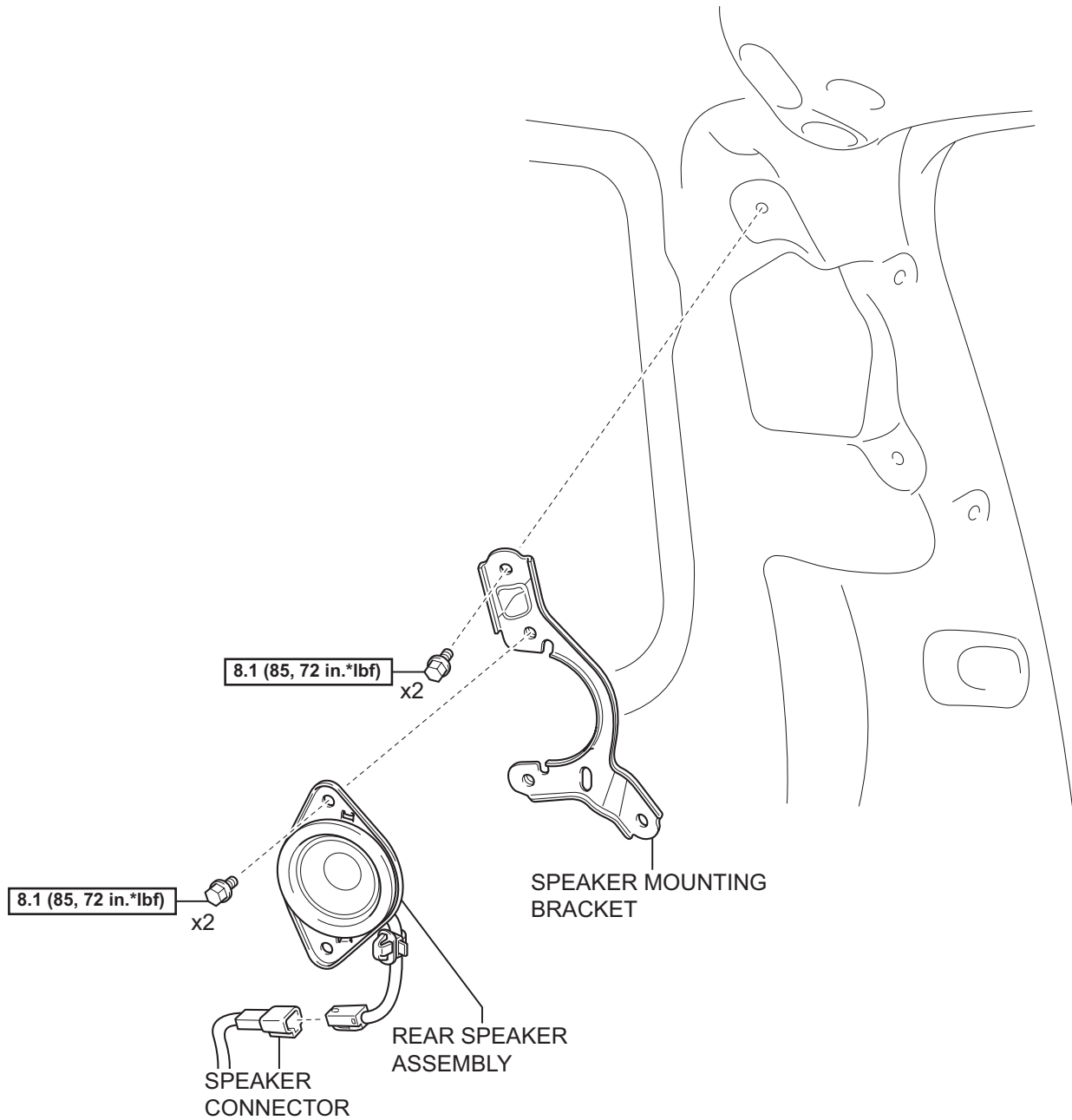
8.1 (85, 72 in.*lbf) : Specified torque



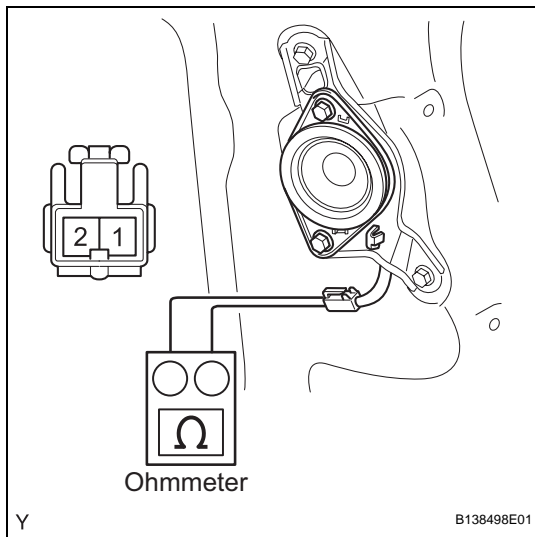
AV

N*m (kgf*cm, ft.*lbf) : Specified torque

AV



N*m (kgf*cm, ft.*lbf) : Specified torque



ON-VEHICLE INSPECTION

1. INSPECT REAR SPEAKER ASSEMBLY

HINT:

Remove interior parts so that the rear speaker can be seen.

- (a) Check the speaker installation.

OK:

The speaker is securely installed.

If the result is not as specified, reinstall the rear speaker.

- (b) Visually check the speaker.

OK:

The cone paper of the speaker is not torn.

If the result is not as specified, replace the rear speaker.

- (c) Check the resistance.

- (1) Disconnect the speaker connector.

- (2) Using an ohmmeter, measure the resistance between the terminals.

Standard resistance

Tester Connection	Specified Condition
1 - 2	Approximately 8 Ω

If the result is not as specified, replace the rear speaker.